

CYBER CRANKS

In addition to our 2-piece OR and GR cranks, we also offer a steel crank with square taper mount. The separate bottom bracket offers you the possibility to achieve an perfect solution between QF and chainline with different spindle lengths. The common SRAM 3-hole standard accepts Direct Mount or one of our spiders. This means you can install 1, 2 or even 3 chainrings.

SCOPE

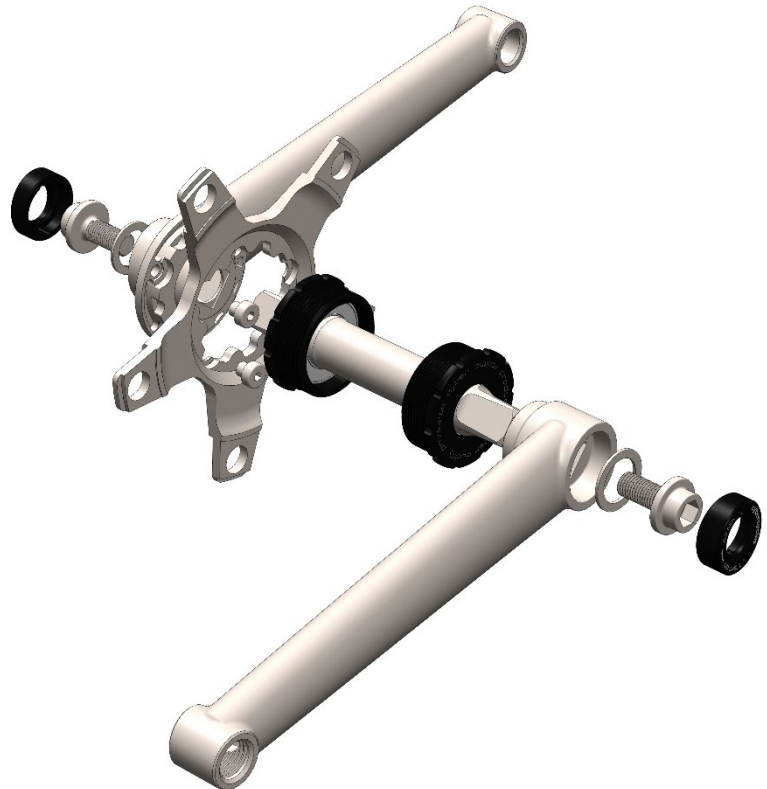
CYBER CRANKS ST
3x M5 bolts for chainring assembly

INTENDED USE

CYBER CRANKS ST have been developed and tested for use in Gravel and XC areas. Enduro or Downhill use is not recommended and is not covered by the warranty. The maximum permitted rider weight is 110kg.

SPECS

JIS Square Taper standard
Custom cold drawn seamless CrMo steel tubes according Velospec75 PRO
SRAM 3-Bolt standard
Integrated crank puller
M8 Titanium crank bolts
Q-Factor: 158mm @113mm spindle
Weight: 470g including all hardware



CHAINLINE

All specifications are based on 113mm spindle length. Please adapt for different spindle lengths.

Direct Mount 3mm Offset: 45,5mm
Direct Mount 6mm Offset: 42,5mm

CC Spider Single - Outer: 49,5mm
CC Spider Single - Inner: 43,5mm

CC Spider Triple - Outer: 44,0mm
CC Spider Triple - Middle: 37,5mm
CC Spider Triple - Inner: 31,0mm

ASSEMBLY

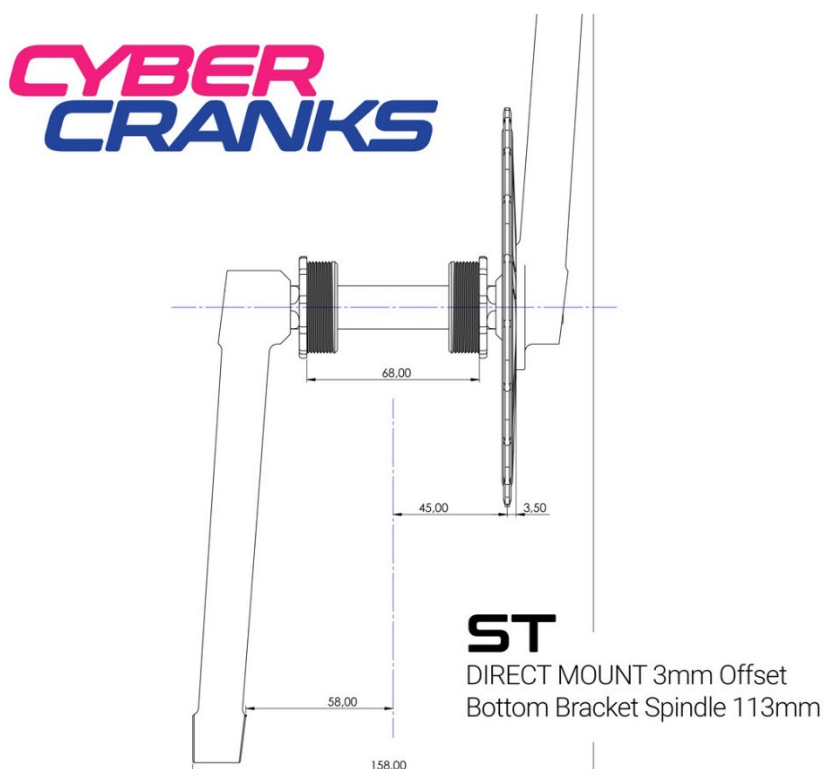
Single-Chainrings shown

The cranks come with following components:

Crankarm Left
Crankarm Right
2x M8 crankarm bolts
3x M5 assembling bolts
Washer
Cap

Not included:

Bottom bracket
Spider and chainrings



The square taper should be clean and free of grease. To fit the cranks, use an 8 mm Allen key and tighten the screw to max. 30 Nm. A higher tightening torque can damage the integrated puller. The square of the inner bearing should be clean and free of grease. After approx. 50 km of riding, please check the fit of the crank bolt and retighten if necessary. The crank bolt is held in place by a replaceable cover cap. To remove the cover cap, please use a face wrench with two pins.

WARRANTY

The product is guaranteed for 2 years for the original purchaser. The warranty claim is excluded in the event of improper assembly, improper use or accidents.

cybercycles

07743 Jena
Germany
www.cybercycles.de

©2025 cybercycles